

**KBT**

## 617~960/1710~2700/3300-3800MHz 3.5/4/4dBi Omnidirectional ceiling antenna

**TQJ-0638XDZ-M**

### Application

Used in 2G/3G/4G/5G/WLAN system

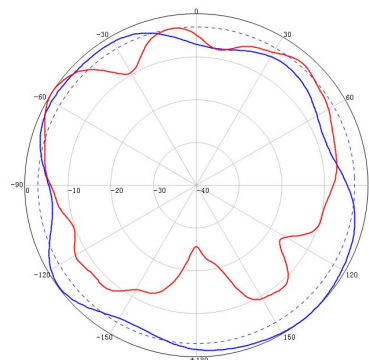
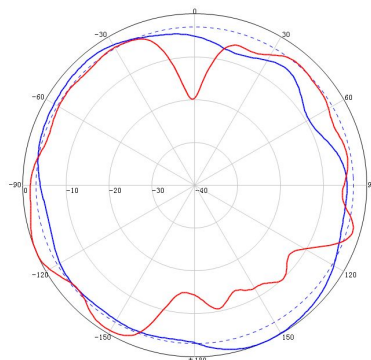
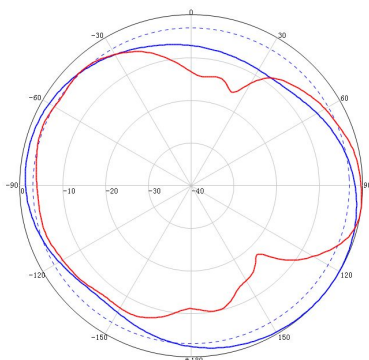
### Electrical specifications

Frequency range (MHz)	617~960	1710~2700	3300~3800
Polarization	Vertical		
Gain (dBi)	3.5±1	4±1	4±1
Horizontal beam width (°)	360		
Typical Vertical beam width (°)	90	65	50
Impedance (Ω)	50		
VSWR	≤1.8		
Intermodulation IM3 (2×43dBm carrier)	≤-153 dBc		
Maximum power (W)	50		
Lighting protection	DC Ground		

### Mechanical specifications

Connector	4.3-10 Female
Exposed cable size (cm)	30(or customer requirement)
Connector position	Bottom
Antenna size (mm)	Φ207*56
Packing size (mm)	213*168*204
Weight (kg)	0.6
Radome material	ABS
Radome color	White
Operating temperature (°C)	-40~60
Application	Indoor
Mounting	Fixed with nut

**617~960MHz Typical pattern:    1710~2700MHz Typical pattern:    3300~3800MHz Typical pattern:**

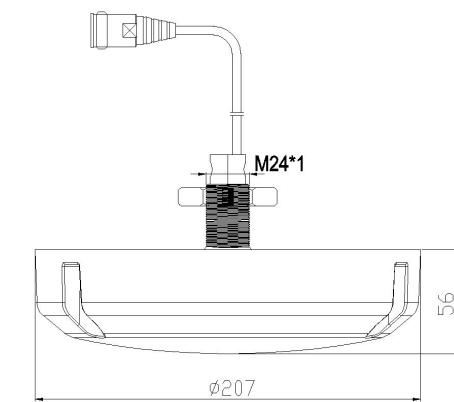


Kenbotong reserves the right to change specifications without prior notice.

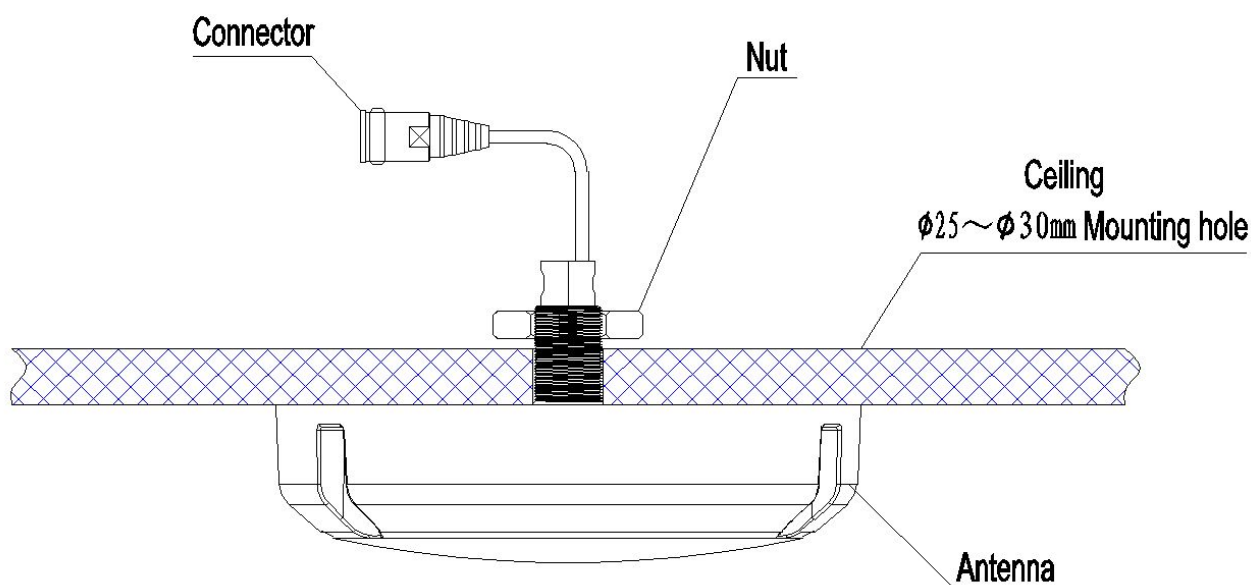
No.2 ChanxiuRoad, Foshan, Guangdong, China. 528061    Tel: +86-757-82219788    Fax: +86-757-82212072

Email: kbt@kenbotong.com    Web: http://www.kenbotong.com


**KBT**
**617~960/1710~2700/3300-3800MHz 3.5/4/4dBi  
Omnidirectional ceiling antenna**
**Product pictures**

**Product size**


## Installation Sketch



1. Drill a  $\Phi 25$ -  $\Phi 30$  hole on the ceiling.
2. Install the antenna as the following picture shows then tighten the bolts.
3. Connect the RF jumper to antenna connector.

**NOTE:**The antenna please not to install on the big area metals, in order to prevent influence antenna result.

Kenbotong reserves the right to change specifications without prior notice.

No.2 ChanxiuRoad, Foshan, Guangdong, China. 528061 Tel: +86-757-82219788 Fax: +86-757-82212072

Email: kbt@kenbotong.com Web: <http://www.kenbotong.com>